



TECHNICAL CHARACTERISTICS

- Microprocessor controller with colour touch screen
- Proportioning air flow according to the requested output, thanks to a brushless motor.
- Self-adjusting Dew Point control for process optimisation.
- PID electronic process temperature control
- Daily/Weekly scheduler.
- Regeneration temperature control according to the required dew point.
- Material anti-stress function.
- Modular system.
- Standard/Custom materials database.
- ModBus RTU/TCP interface.

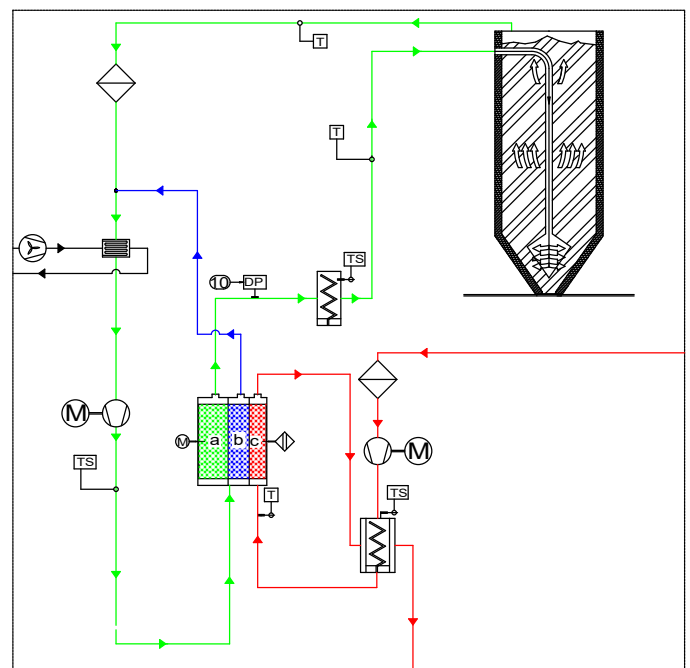
ACCESSORIES:

- DWH carriage.
- Material tank.

The DWH Series desiccant dryers with rotor technology offer high performance levels in the drying field and maximum efficiency and operating versatility.

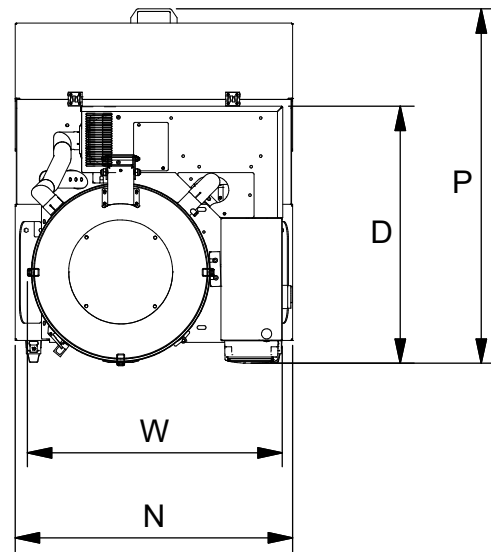
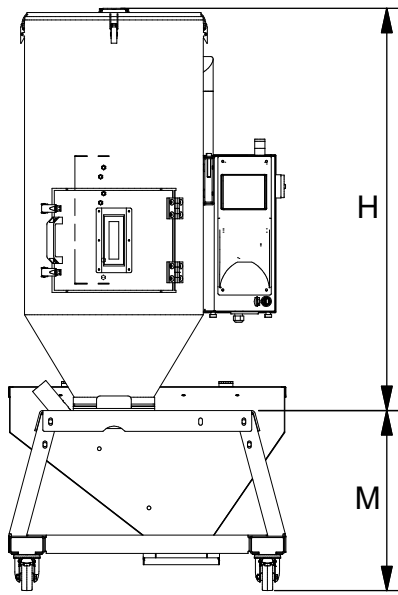
The DWH models maintain a constant Dew Point value of between -25°C and -50°C , with flow rates from 30 to 80 m^3/h .

The process temperature can be set to up to 150°C . Available pairing with a wide range of hoppers with capacities of 30 to 200 l.



ADDED VALUE:

- **ENERGY EFFICIENCY**
Energy consumption represents the main cost during the life cycle of a machine, so the right choice makes for a quick return on the investment and a higher margin on the finished product. The most innovative desiccant dehumidification technology: energy saving and environmental protection.
- **OPTIMISATION**
Easy programming with only two parameters: type of material (selectable from the database) and hourly consumption. It is up and running in just 3 minutes. Does not require water or compressed air.
- **AIR FLOW MANAGEMENT (AFM)**
Does not release dust, ideal for the medical and optical fields.



Technical data

	Unit of measure	DWH H30	DWH H50	DWH H75	DWH H100	DWH H150	DWH H200	
Air flow rate	m ³ /h	30-80	30-80	30-80	30-80	30-80	30-80	
Process temperature	°C	60-150	60-150	60-150	60-150	60-150	60-150	
Dew point	°C	-25 ÷ -50	-25 ÷ -50	-25 ÷ -50	-25 ÷ -50	-25 ÷ -50	-25 ÷ -50	
Process blower power	kW	0,45	0,45	0,45	0,45	0,45	0,45	
Regeneration blower power	kW	0,08	0,08	0,08	0,08	0,08	0,08	
Process heating power	kW	1	1	1	1	1	1	
Regeneration heating power	kW	1	1	1	1	1	1	
Total installed power	kW	2,5	2,5	2,5	2,5	2,5	2,5	
Hopper capacity	dm ³	30	50	75	100	150	200	
Voltage/Frequency	kW	230/50-60	230/50-60	230/50-60	230/50-60	230/50-60	230/50-60	
Dimensions	W	mm	670	670	730	730	815	815
	D		730	730	750	750	830	835
	H		740	960	970	1180	1300	1590
	M		725	725	725	725	725	725
	N		800	800	800	800	800	800
	P		1150	1150	1150	1150	1150	1150
Weight	kg	85	90	100	110	120	130	