



**EASY  
WAY** 4.0

The automatic manifolds of the AMMP series are the perfect solution for the distribution of plastic materials inside factories.

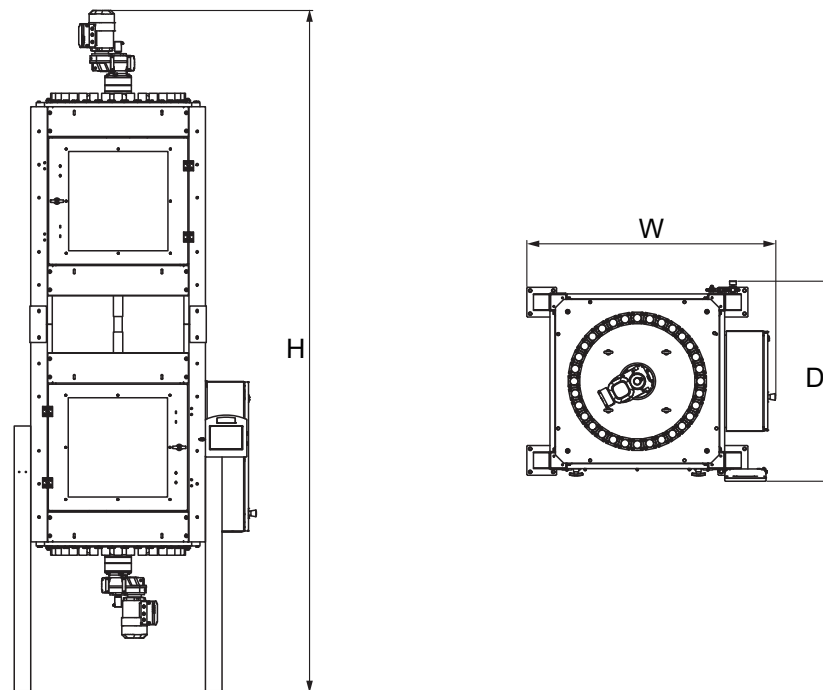
There are four models with pipes:  
50 - 60 - 70 - 88.9 - 101.6 - 114,3 mm in diameter.

#### TECHNICAL SPECIFICATIONS:

- Siemens PLC control unit and touch screen interface. The control unit manages up to 4 modules.
- Gearmotor with a built-in self-breaking system.
- Internal body made of wear-resistant stainless steel.

#### ADDED VALUE:

- **RELIABLE**  
The precision of the mechanical components, its PLC control unit and position sensors ensure absolute reliability.
- **SAFETY**  
No risks for the operator. Moving parts are inside the machine.



## Technical data

	Unit of measure						
Diametro connessioni	Ø	Ø50	Ø60	Ø70	Ø88,9	Ø101,6	Ø114,3
Connections AMMP1	N°	32	28	24	20	18	16
Connections AMMP2	N°	50	44	38	30	28	26
Voltage/Frequency	V/Hz	400/50/60					
Total power	kW	1	1	1	1	1	1
Dimensions WxDxH	mm	1500x1200x4100 - versione AMMP1			1500x1200x4540 - versione AMMP1		
		1964x1769x4900 - versione AMMP2			1964x1769x5350 - versione AMMP2		
Weight	kg	830 - versione AMMP1					
		1780 - versione AMMP2					