

The vertical mixers of the MVP series are designed to mix large quantities of plastic granules.

The machine has a solid painted-steel structure with 4 supporting legs.

Its mixing screw is driven by a 4-pole three-phase electric motor with V-belt drive.

The material is loaded through a special feeding hopper equipped with a grid acting as protection and support base for bags.

Other standard components are: protective guards, inspection doors, spyholes, material outlets.

The range features dimensions from 500 to 20000 litres.

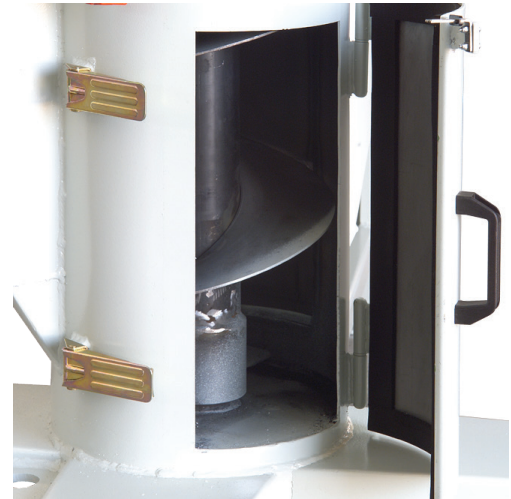
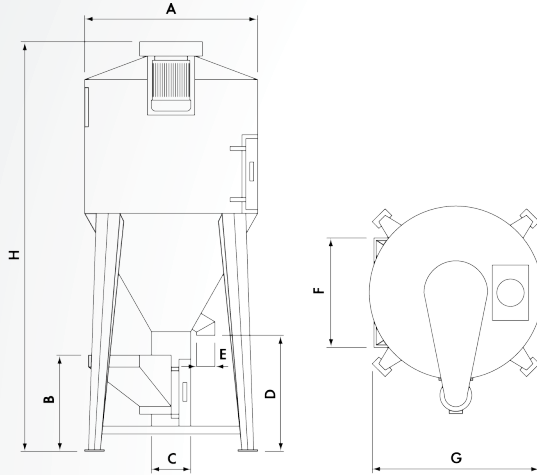


TECHNICAL SPECIFICATIONS:

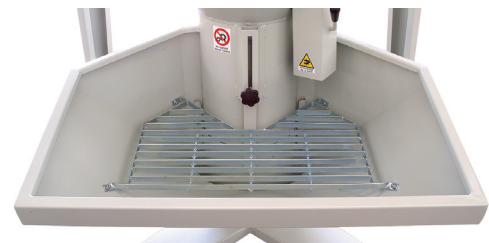
- Feeding hopper with protection grid.
- Mixing screw for a "fountain-type" mixing.
- Outlet pipe with butterfly valve.
- Lower door for easy cleaning and emptying.
- Spyhole for checking material level.
- Inspection door on the cylinder (for bigger models only).
- Switchboard with timer.

OPTIONAL COMPONENTS:

- Paddle level sensor to control the quantity loaded.
- Connection for pneumatic suction nozzle.
- Flange for installing a screw/cyclone.



Detail of inspection door of mixing screw.



Detail of feeding hopper.

TECHNICAL DATA		MVP 500	MVP 1000	MVP 1800	MVP 2500	MVP 3500	MVP 5000	MVP 8000	MVP 10000	MVP 14000	MVP 16000	MVP 20000
Capacity	dm ³	500	1000	1800	2500	3500	5000	8000	10000	14000	16000	20000
Noise level	dB(A)	<80										
Installed power	kW	2.2	4	5.5		7.5		11		15	18.5	
Weight	Kg	220	300	460	490	610	800	1070	1200	1350	1500	2200

TECHNICAL DATA		MVP 500	MVP 1000	MVP 1800	MVP 2500	MVP 3500	MVP 5000	MVP 8000	MVP 10000	MVP 14000	MVP 16000	MVP 20000
A	mm	850	1060	1400	1500	1600	1900	2350		2450		
B	mm	600	650	700			750				950	
C	mm	200	280	320							400	
D	mm	800										900
E	mm	150	200	230								
F	mm	650	750	950			1000				1100	
G	mm	1150	1250	1400	1450	1500	1800	1950		2150		
H	mm	2550	3050	3200	3500	3900	4200	4600	5100	5700	6200	7100