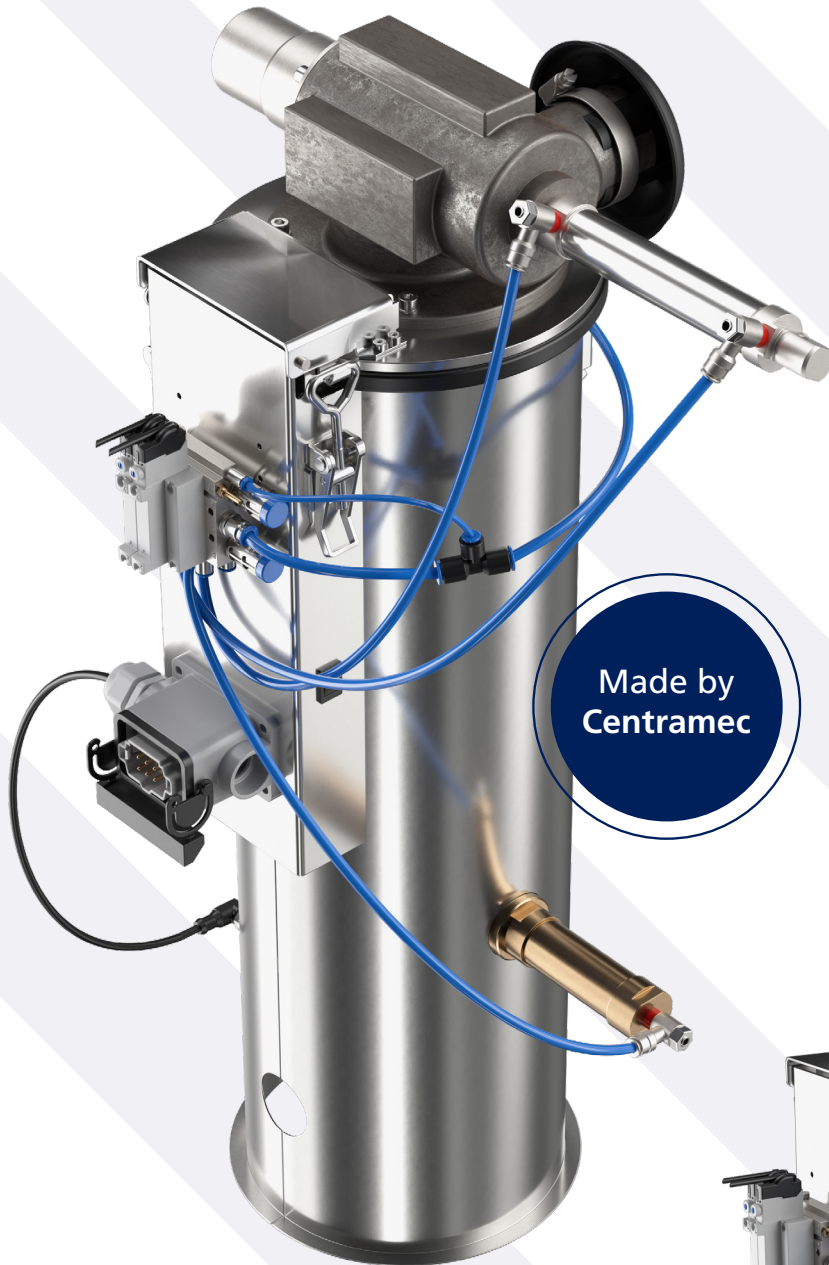


Cemec Powder Conveyor CFG 20 PR1

Conveyor in stainless steel for the
pneumatic transport of powder.



Made by
Centramec



FILTER CLEANING USING AN IMPLOSION

Filter cleaning is carried out using an implosion. This greatly reduces the consumption of compressed air compared to conventional filter cleaning using compressed air.

COST EFFECTIVE CONTROL

The corresponding control system is available in several versions, catering for systems with up to 31 conveyors as standard.

FABRICATED IN-HOUSE

Manufacturing takes place in Sweden and assembly is carried out by Centramec. This means that we can ensure the high and uniform level of quality of our products.

STANDARD VERSION

- Stainless steel design.
- Easy opening for cleaning
- Swift filter changes.
- Outlet flap with a heavy-duty gasket.
- Proven design with reliable availability performance.
- Cylinder for closing the material inlet allows several conveyors to be connected in series on the same material pipe.
- Filter cleaning takes place using a vacuum implosion, resulting in very low compressed air consumption and reduced operating costs.
- The corresponding control system is available for up to 32 conveyors in one system.

CEMEC POWDER CONVEYOR CFG 20 PR1 TECHNICAL DATA

CEMEC

Article no. CFG 20 PR1

Pipe connections

Material Ø 40/50 mm
Vacuum Ø 40/50/60mm

Vacuum separation Filter

Particle size

Transport capacity < 150 l/h

Sound level < 70 dB (A)

Dimensions

Material Stainless steel
Net volume 2 l
Diameter Ø190 mm, container
Diameter Ø210 mm, flange external dimension

Control voltage 24 V

Electrical connection 6-pin Harting

Weight 10 kg

OPTIONS

- Dual material inputs
- Level sensor
- Fluidisation of bridge-forming materials

Please do not hesitate to contact us if you have any questions or would like a quote!

