



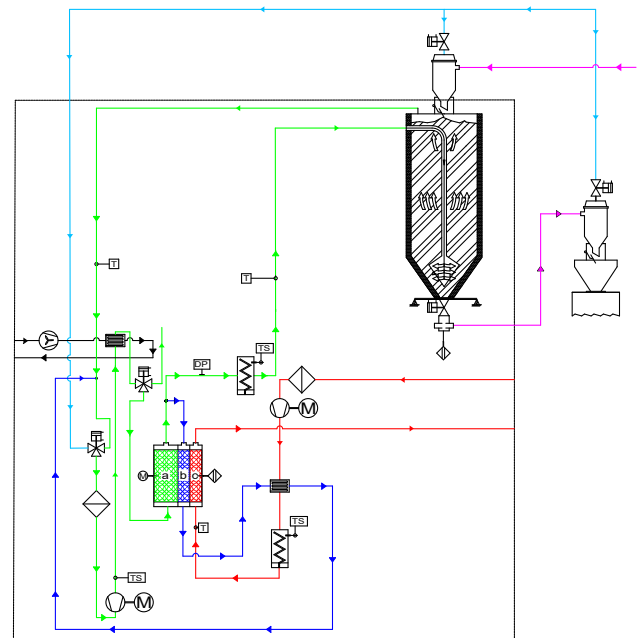
European Patent n.

EP 2447027

DWC compact models work with rotor technology, with flow rates from 40 to 300 m³/h, making it possible to manage the loading of the hopper and processing machine.

A sophisticated microprocessor control, together with a weighing system, makes the process ideal, while a colour touch screen creates a simple operator interface.

The DWC series offers a perfect solution for all dehumidification fields, including the most demanding ones such as the optics and pharmaceuticals sectors.



ADDED VALUE:

- **OPTIMISATION**
Continuous performance monitoring with actual consumption values during the work process. Reads the processing machine consumption and adjusts to the output. The operator need only select the material to be processed from among those in the database.
- **ENERGY EFFICIENCY**
Energy consumption represents the main cost during the life cycle of a machine, so the right choice makes for a quick return on the investment and a higher margin on the finished product. The most innovative desiccant dehumidification technology: energy saving and environmental protection at the same time.

**HONEYCOMB
ROTOR
DRYER**

**SINCE
2004**

**ENERGY
SAVING**

**INNOVATIVE
TECHNOLOGY**

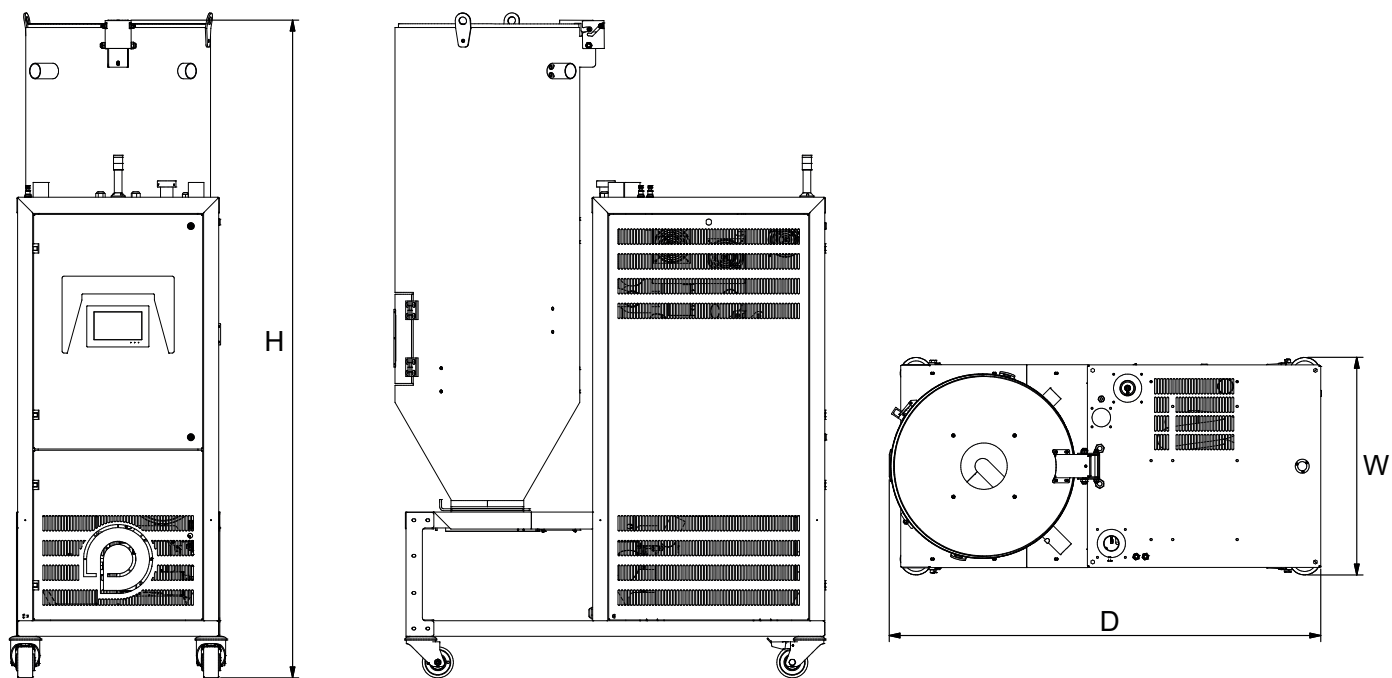
**LESS
ENVIRONMENTAL
IMPACT**

TECHNICAL CHARACTERISTICS:

- Microprocessor control.
- Touch screen operator panel.
- Inverter-modulated air flow according to required output.
- Self-adjusting Dew Point control for process optimisation.
- PID electronic process temperature control
- Regeneration temperature control according to the required dew point.
- Integrated hopper and processing machine loading.
- Standard/Custom materials database.
- Material level management through weighing system.
- Material anti-stress function.
- Work start/end programming.
- Standard/Custom materials database.
- ModBus RTU/TCP interface.

ACCESSORIES:

- Dew point device.
- Feeders for DWC.
- DWC Multi-Touch remote control.



Technical data

	Unit of measure	DWC120 H150	DWC120 H200	DWC200 H300	DWC200 H400	DWC300 H600	DWC300 H800
Air flow rate.	m³/h	40÷120	40÷120	70÷200	70÷200	100÷300	100÷300
Dew point	°C	-25 ÷ -50	-25 ÷ -50	-25 ÷ -50	-25 ÷ -50	-25 ÷ -50	-25 ÷ -50
Process temperature	°C	60÷150	60÷150	60÷150	60÷150	60÷150	60÷150
Process blower power	kW	0,85	0,85	1,3	1,3	3	3
Regeneration blower power	kW	0,2	0,2	0,4	0,4	0,4	0,4
Process heating power	kW	2	2	3,5	3,5	5	5
Regeneration heating power	kW	1,5	1,5	2	2	3,5	3,5
Total installed power	kW	4,6	4,6	7,2	7,2	11	11
Hopper capacity	dm³	150	200	300	400	600	800
Voltage/Frequency	kW	400/50-60	400/50-60	400/50-60	400/50-60	400/50-60	400/50-60
Dimensions WxDxH	mm	705x1395x1835	705x1395x2125	835x1630x2285	835x1630x2535	1030x2070x2600	1030x2070x3000
Weight	kg	290	305	380	390	530	555