

# Gravimetric Dosing and Mixing System

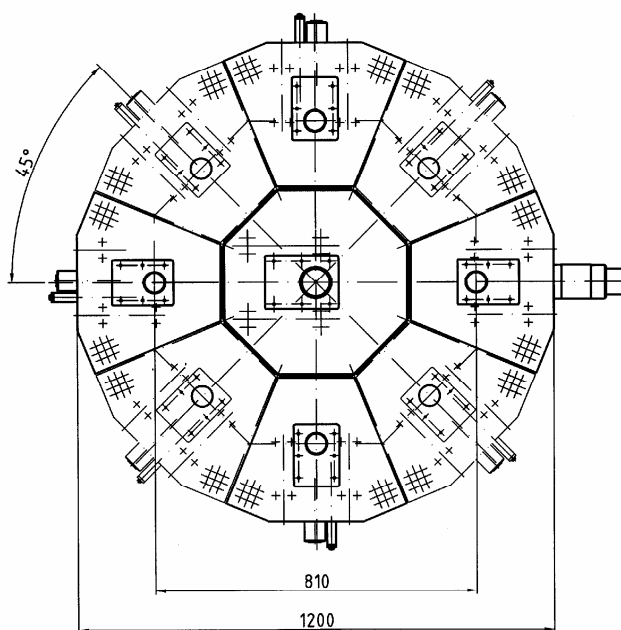
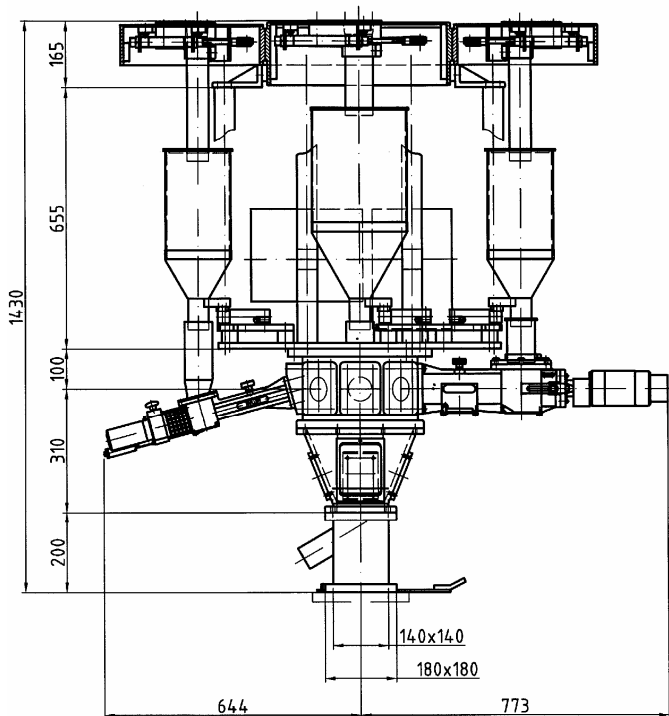
## GRAMIX S9

### Application

The GRAMIX S9 dosing and mixing system is used in the plastics-processing industry for supplying extruders, coextruders and blow-moulding machines in the medium and high throughput ranges with multi-component mixtures that are prepared job-

specifically. The system is suitable for extruder operations both in overfeed and underfeed mode. With this system, all free-flowing bulk materials such as pellets, gravel, regrind or film chips can be dosed and mixed.

### Technical Data



• Throughput	kg/h	max. 2.000
• Dosing accuracy <sup>1)</sup>	%	< 0,5
• Weighing hopper		
– net volume	l	3; 6; 15; 25; 50; 75; 100; 150; 200
• Materia		
– mixing support		aluminium cast alloy
– mounting plate		aluminium
– weighing hopper		stainless steel
		acrylic glass
– inlet pipe		stainless steel
– upper part		aluminium cast alloy
• Power supply		3 N PE AC50/60 Hz 400 V

• Dosing motors		
– speed range		1 : 50
– ratio of speeds HV 30/60		1 : 25
– ratio of speeds HV 80		1 : 31
• Load cells		
– nominal load	kg	7.2; 12; 18; 36; 75; 150
– accuracy <sup>2)</sup>	%	0.015
• Operating conditions		
– temp. of bulk material <sup>3)</sup>	°C	max. 80
– ambient temperature	°C	5 to 45
– relative air humidity	%	< 80
• Gewicht <sup>4)</sup>	kg	max. 450

<sup>1)</sup> based on the set throughput

<sup>2)</sup> based on the nominal load

<sup>3)</sup> up to 160 °C when using high-temperature version

<sup>4)</sup> dependent on the version and number of dosing stations